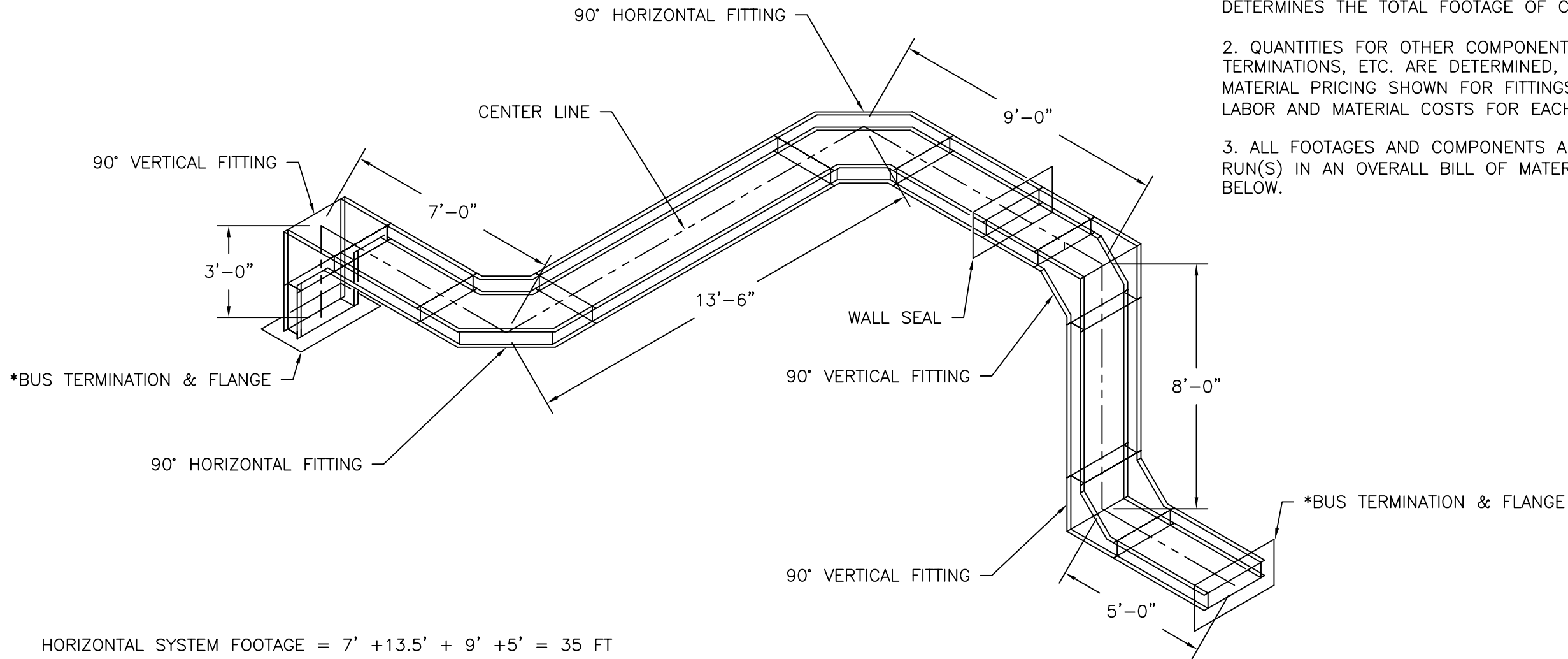


TAKE OFF PROCEDURE:

1. HORIZONTAL AND VERTICAL FOOTAGE IS MEASURED THROUGH THE CENTER LINE OF THE BUS RUN FROM FLANGE TO FLANGE, THROUGH ALL FITTINGS/ELBOWS. THE TOTALS FOR EACH ARE THEN ROUNDED UP TO THE NEAREST FOOT. THIS DETERMINES THE TOTAL FOOTAGE OF CABLE BUS ENCLOSURE NEEDED.

2. QUANTITIES FOR OTHER COMPONENTS SUCH AS FITTINGS/ELBOWS, WALL SEALS, TERMINATIONS, ETC. ARE DETERMINED, AS REQUIRED. PLEASE NOTE THAT BILL OF MATERIAL PRICING SHOWN FOR FITTINGS/ELBOWS IS ONLY FOR THE ADDITIONAL LABOR AND MATERIAL COSTS FOR EACH FITTING/ELBOW.

3. ALL FOOTAGES AND COMPONENTS ARE THEN COMPILED & ITEMIZED PER BUS RUN(S) IN AN OVERALL BILL OF MATERIAL. REFER TO EXAMPLE BILL OF MATERIAL BELOW.



HORIZONTAL SYSTEM FOOTAGE = 7' + 13.5' + 9' + 5' = 35 FT
 VERTICAL FOOTAGE = 3' + 8' = 11 FT

EXAMPLE BILL OF MATERIAL FOR BUS RUN ABOVE			
QTY.	DESCRIPTION	UNIT COST	EXT. COST
35	HORIZONTAL SYSTEM FOOTAGE	\$100/FT	\$3450
11	VERTICAL SYSTEM FOOTAGE	\$125/FT	\$1375
2	90 DEG. HORIZONTAL FITTING	\$250/EA	\$500
3	90 DEG. VERTICAL FITTING	\$200/EA	\$600
1	WALL SEAL	\$300/EA	\$300
2	BUS TERMINATION & FLANGE	\$600/EA	\$1200

NOTE: UNIT PRICING ABOVE IS FOR EXAMPLE ONLY.

*DENOTES:

BUS TERMINATIONS INCLUDE MOUNTING FLANGE, ADDITIONAL CABLE LEADS TO CONNECT TO EQUIPMENT TERMINALS, NEMA 2-HOLE COMPRESSION LUGS & HIGH VOLTAGE TERMINATION KITS (HVT KITS ARE ONLY APPLICABLE FOR MEDIUM AND HIGH VOLTAGE SYSTEMS).



CABLE BUS SYSTEMS
 www.mdfbus.com
 4465 Limaburg Road
 Hebron, Ky 41048

EXAMPLE TAKE OFF PROCEDURES
 & BILL OF MATERIALS
 CABLE BUS RUN

REFERENCE NUMBER:	DRN.	RSH	09/04/2013	SCALE:	N/A	SPEC. NO.	XXX
	CHKD.	MAM	09/04/2013				
	APPR.	SHN	09/04/2013	DWG. NUMBER:	TO-CB-01		REV.
	PROJECT NUMBER:	213-XXXXX					0